

# Technical Bulletin

Model  
6 Cyl.

Group  
2

Subject:

Ignition Distributor Ventilation

Part Identifier  
2830

Number  
9403

**ATTENTION: Service Manager / Service Technician**

**Models Affected:** *911 Carrera 2/4, as of model year 1989*

**Concern:** Ventilation for ignition distributor must be installed if replacement of ignition distributor becomes necessary.

**General Information:** From August 13, 1993 production date, the ignition distributor received a ventilation system as of engine numbers:  
62 R 00592 - Manual Transmission  
62 R 50520 - Tiptronic

If the ignition distributor requires replacement, on engines produced prior to the above engine numbers, a ventilation system must also be installed on replacement distributors which do not have it. After present stocks of new and rebuilt distributors are depleted only distributors with ventilation connection will be available.

**Repair Information:**

See Figure A.

- Use a screwdriver to remove the oval plate (arrow A) on the ignition distributor.
- Install ventilation connector (1) into distributor.
- Remove air guide pipe.
- Drill an 18mm diameter hole (B) 40mm to the right of the tail light ventilation into the air guide pipe.
- De-burr the hole and remove all shavings.
- Install rubber grommet (2) into the hole.
- Install connector (3) into the grommet.
- Reinstall air guide pipe.
- Install hose (4) on the ignition distributor (A) and air pipe (B).
- Route the ventilation hose as in Figure B on the following page.

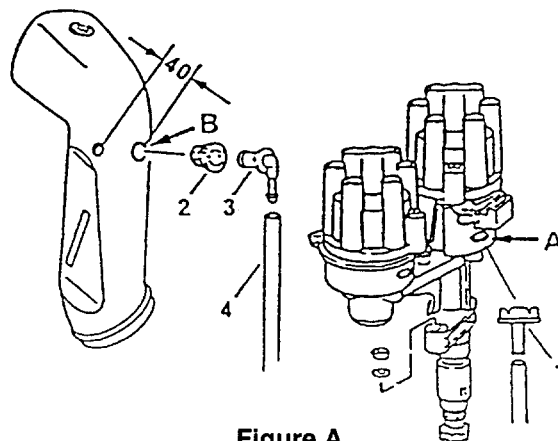


Figure A



# Technical Bulletin

Model  
6 Cyl.

Group  
2

Subject:

Ignition Distributor Ventilation

Part Identifier

2830

Number

9403

## Repair Information (cont.)

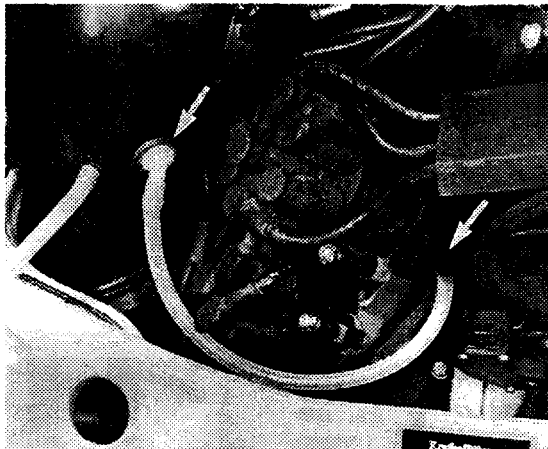


Figure B

## Parts Information:

Ventilation kit Part Number 000 043 202 52 consisting of the following items:

Part Number	Description
993 602 121 00	Ventilation connection
911 355 922 00	Rubber grommet
911 355 323 00	Connector
000 043 205 71	Hose, 360mm long (for replacement order 1 x 999 181 235 40)

## Warranty Information:

Labor operation	Description
28304950	Install ventilation in conjunction with ignition distributor replacement (distributor not supplied with ventilator). 20 TU

P  
O  
R  
S  
C  
H  
E  
  
C  
A  
R  
S  
  
N  
O  
R  
T  
H  
  
A  
M  
E  
R  
I  
C  
A  
  
I  
N  
C  
.

